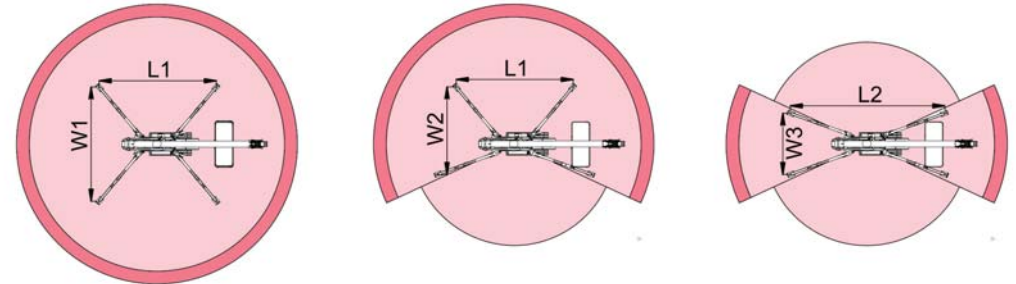
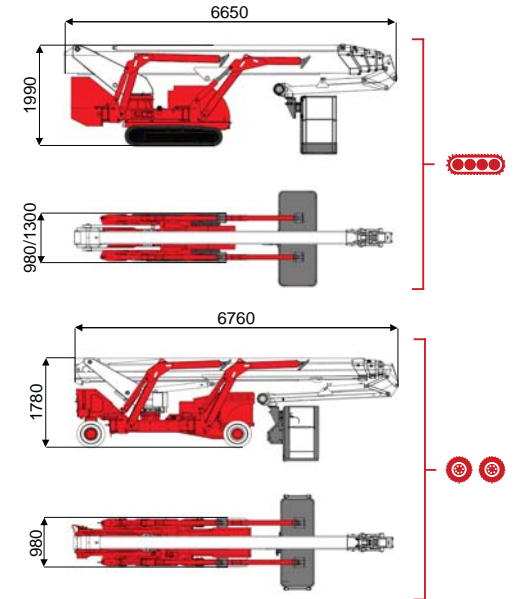
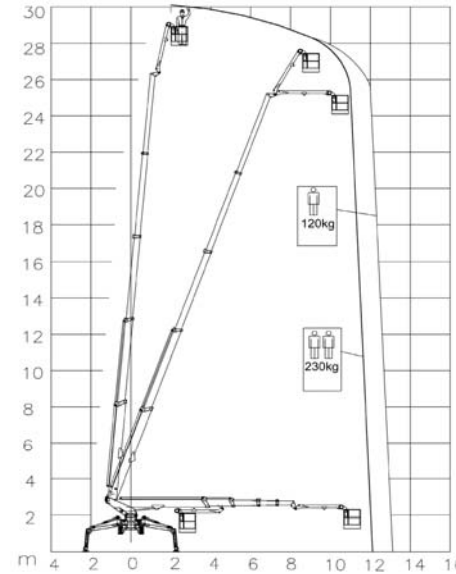


30 m ↑  
13 m →  
230 Kg 👤 👤



230 kg	120 kg	120/230 kg	L1	L2	W1	W2	W3
12000 mm	13000 mm	8000 mm	5091 mm	6469 mm	4583 mm	3661 mm	2744 mm

BI-ENERGY  
Diesel+AC



TSJ 30.1/C	🔋	30 m	13 m	230 kg	175°	540°	180x70 cm	90°+80°	5-2,86 m	26%	40%	1,7 km/h	4650 kg	29 kN	2,30 kN/m <sup>2</sup>	3,72 kN/m <sup>2</sup>	980/1300 mm	6650 mm	1990 mm
TSJ 30.1/R	🔋	30 m	13 m	230 kg	175°	540°	180x70 cm	90°+80°	5-2,86 m	26%	25%	1,3 km/h	4840 kg	29 kN	2,40 kN/m <sup>2</sup>	3,81 kN/m <sup>2</sup>	980 mm	6760 mm	1780 mm



Battery type



Battery charge



Add. Weight



Autonomy



Charging time

Electropump

ECO	DC+AC	🔋	48V 320 A/h 5h	230V-48V 45A	450 kg	6-7 h endless	7h	48V 12 kW
ECO	DC+AC	🔋	48V 270 A/h 5h	230V-48V 45A	400 kg	6-7 h endless	7h	48V 9 kW
HYBRID	Diesel+DC	🔋	24V 240 A/h 5h	230V-24V 35A	200 kg	2-3 h endless	7h	24V 5,5 kW

Characteristics and technical data are informative only and subjected to change without notice.